

Installation Manual for LHINSERT into the PulsaLift™ 800 Plus Pole System.

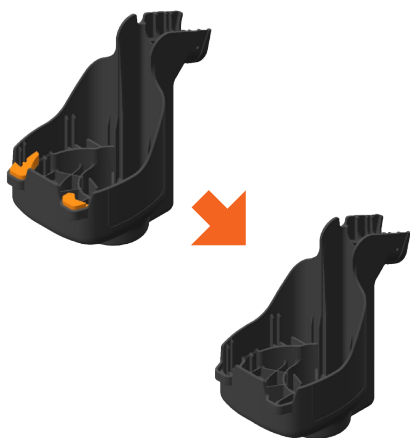
The **LHINSERT** is designed to adapt the **PulsaLift™ 800 PLUS** pole tool for use with the **CableMaster™ C-Plus®** gas tool and is not suitable for prior pole tools. It is recommended that you watch the short installation video via the QR code before starting.



Installation video

Step 1:
Remove L1 and R1 inserts indicated in orange (below)

Note: These are glued in, and it is recommended to use a chisel to break the bond (see video).



Step 2:
Align the LHINSERT with the cradle vertically and firmly push downwards to secure the insert ensure it is well seated.

