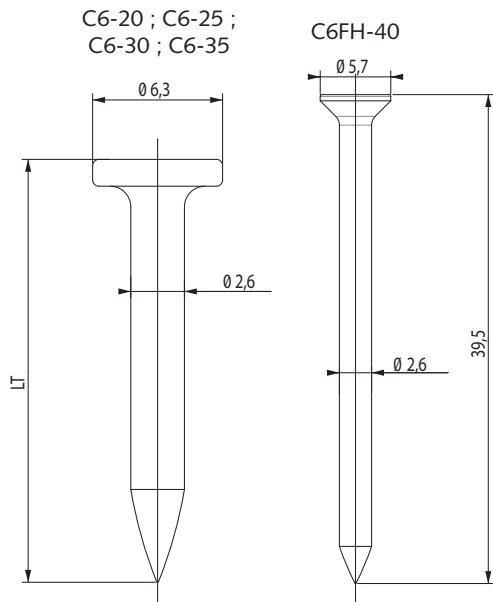
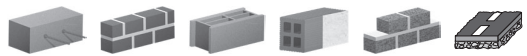


SPIT C6 / C6 FH



DESCRIPTION

→ Using with wiring accessories, to fix drywall track.

PROPERTIES MATERIAL

Shank in carbon steel

- Total length Lt: 20, 25, 30, 35 or 40 mm
- Black collated strip
- Electrogalvanised, min zinc coating 5 µm
- Hardness (C6-20): 53 to 56 HRc
- Hardness (C6-25/30/35/40): 50 to 55 HRc

TOOLS

P800E - P800P - P800P+

AGREEMENT

CSTB Technical approval 3/06 - 460

ACCESSORIES

Magnetic nose pieces for:

→ Fixing Metal latch



Eurocode 014641

→ Metal P-CLIP



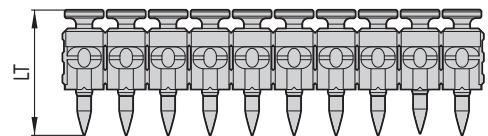
Eurocode 014642

→ Other accessories

- Wiring accessories for electrician & Plumber
- FP FIREFIX™ for fire resistant cabling
- Threaded rod hanger: TRH CLIP MCC-0

PIN LENGTH SELECTION

| C6 range | Length (LT) | Black strip 500 pcs/box | Flush head pin range * 500 pcs/box |
|----------|-------------|----------------------------|--|
| C6-20 | 20 | 057540 | - |
| C6-25 | 25 | 057541 | - |
| C6-30 | 30 | 057542 | - |
| C6-35 | 35 | 057543 | - |
| C6-40 | 40 | - | 057544 |



*: leaves no plastic residue after fixing

RECOMMENDED LOAD

| C6 range | | Characteristic resistance | | Recommended load | |
|----------------------|---|---------------------------|----------------------|-----------------------|-----------------------|
| | | N _{Rk} (kN) | V _{Rk} (kN) | N _{Rec} (kN) | V _{Rec} (kN) |
| C20/25 to C30/37 | H _{nom} ⁽¹⁾ = 15 mm | 0.87 | 0.75 | 0.30 | 0.25 |
| | H _{nom} ⁽¹⁾ = 18 mm | 1.19 | | 0.40 | |
| | H _{nom} ⁽¹⁾ = 20 mm | 1.41 | | 0.47 | |

(1) Embedment depth H_{nom} = 15-20 mm is recommended

L = H_{nom} + tfix (see p. 13)